



MODULAR POINT-OF-USE REGULATOR PANELS

RP1000 SERIES

Description

The RP1000 Series Regulator Panels are a convenient way to control point-of-use high purity gas delivery pressure. This equipment can be used as a stand-alone panel or can be combined with other filter and/or flowmeter panels.

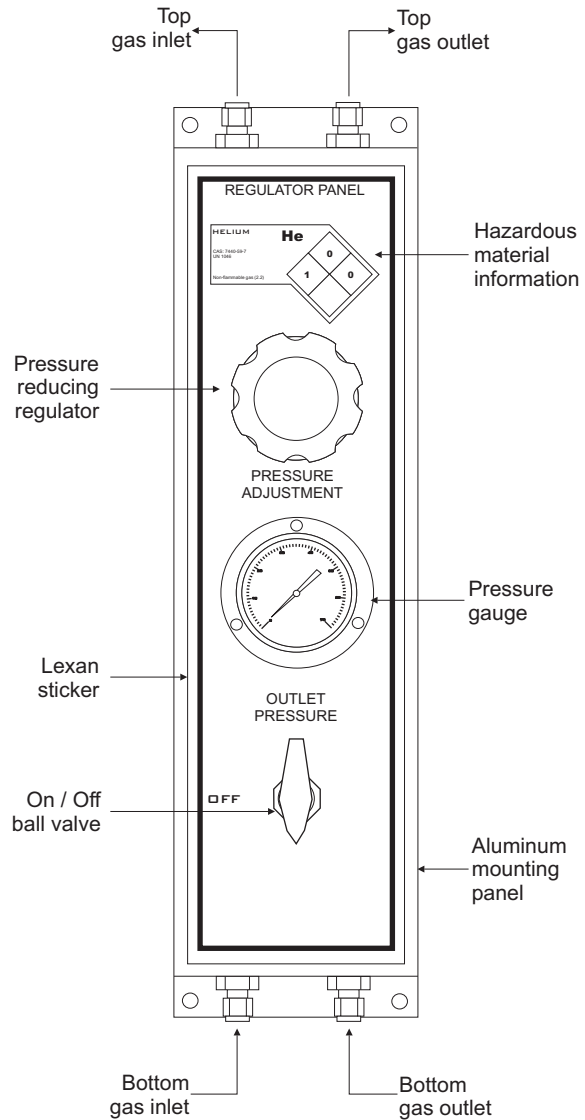
The system will accommodate any number of panel sections while allowing for future expansions. Our systems are designed, cleaned and built to maintain high purity levels.

Key Features

- **Rust-free aluminum mounting panel**
- Each gas is labeled with the appropriate NFPA hazard diamond, CAS registry number, UN and DOT classifications
- **Wide range of outlet pressure**
- Panels completely assembled and tested prior to shipping
- **Customizable regulator panel with unlimited possibilities**
- Pre-drilled holes for convenient installation
- **System allows for upgrades or modifications**
- Top or bottom inlets and outlets provide unlimited installation configurations

Installation tip

You can combine several other types of WESTERN panels with this regulator panel. The RP1000 Series Regulator Panels can be combined modular with point-of-use purifier panels or outlet valve panels. Please consult WESTERN for details



Model shown: RP1000-5-125

How to order - part number matrix

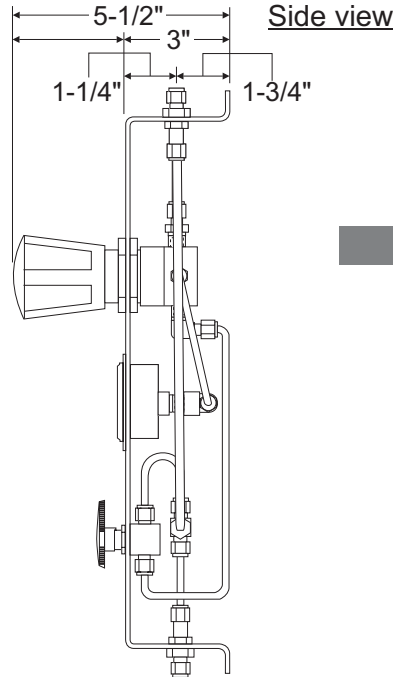
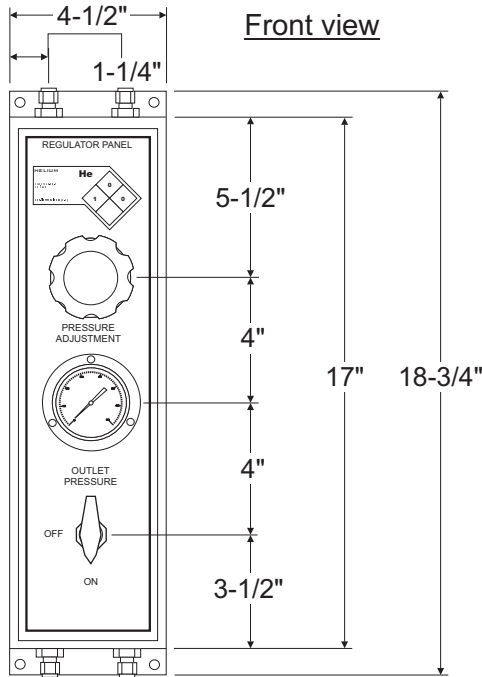
| Series | Fluid | Outlet pressure | Options |
|--------|--|---|--|
| RP1000 | <ul style="list-style-type: none"> ■ Acetylene = 1 ■ Air = 2 ■ Argon = 3 ■ Carbon dioxide = 4 ■ Helium = 5 ■ Hydrogen = 6 ■ Nitrogen = 7 ■ Nitrous oxide = 8 ■ Oxygen = 9 ■ LPG = 10 | <ul style="list-style-type: none"> ■ 2-30 psig = 30 ■ 4-75 psig = 75 ■ 10-125 psig = 125 ■ 20-250 psig = 250 ■ 30-500 psig = 500 <p>Other please specify</p> <p>500 psi outlet regulators cannot be used with WESTERN standard FP250 filter panels</p> | <ul style="list-style-type: none"> ■ Stainless steel regulator, fittings & tubing = SR1 ■ 1/8" compression inlet & outlet = 1/8 ■ 3/8" compression inlet & outlet = 3/8 |

**WE CAN ACCOMMODATE
YOUR SPECIFIC DESIGN
REQUIREMENTS, PLEASE
CALL WESTERN FOR DETAILS**



MODULAR POINT-OF-USE REGULATOR PANELS FOR HIGH PURITY GASES RP1000 SERIES TECHNICAL SPECIFICATIONS

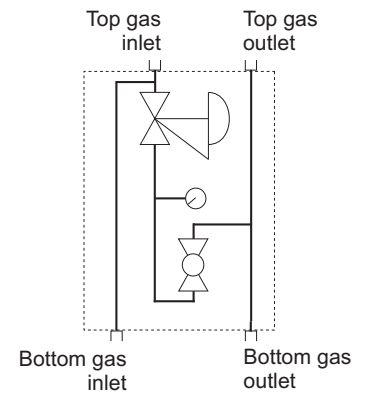
Dimensional drawing



Approximate dimensions

Model Shown:
RP1000-5/125

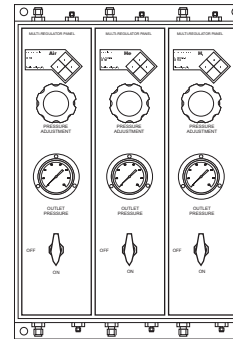
Flow schematic



Specifications

Description

| | |
|-------------------------|---------------------------|
| Maximum inlet pressure | 1000 psig |
| Outlet pressure range | Refer to P/N matrix |
| Inlet connection | 1/4" compression S/S |
| Outlet connection | 1/4" compression S/S |
| Operating temperature | -40°F to 140°F |
| Pressure gauge dial | 2-1/2" |
| Tube diameter | 1/4" |
| Pressure regulator type | Single stage, high purity |



Example of a three
regulator panel

Model shown:
RP1000-2/125/1/8-
5/125/1/8-6/125/1/8

Standard materials of construction

Part

| | |
|----------------|--|
| Ball valve | Body: brass - Ball: stainless steel 316 - Packing & seal: PTFE |
| Fittings | Stainless steel 316 - brass: CDA 360 & CDA 377 |
| Pressure gauge | Brass CDA 360 inlet |
| Tubing | Stainless steel 304 - Copper ASTM B280 |
| Regulator | Body & bonnet: brass - Diaphragm: stainless steel |